



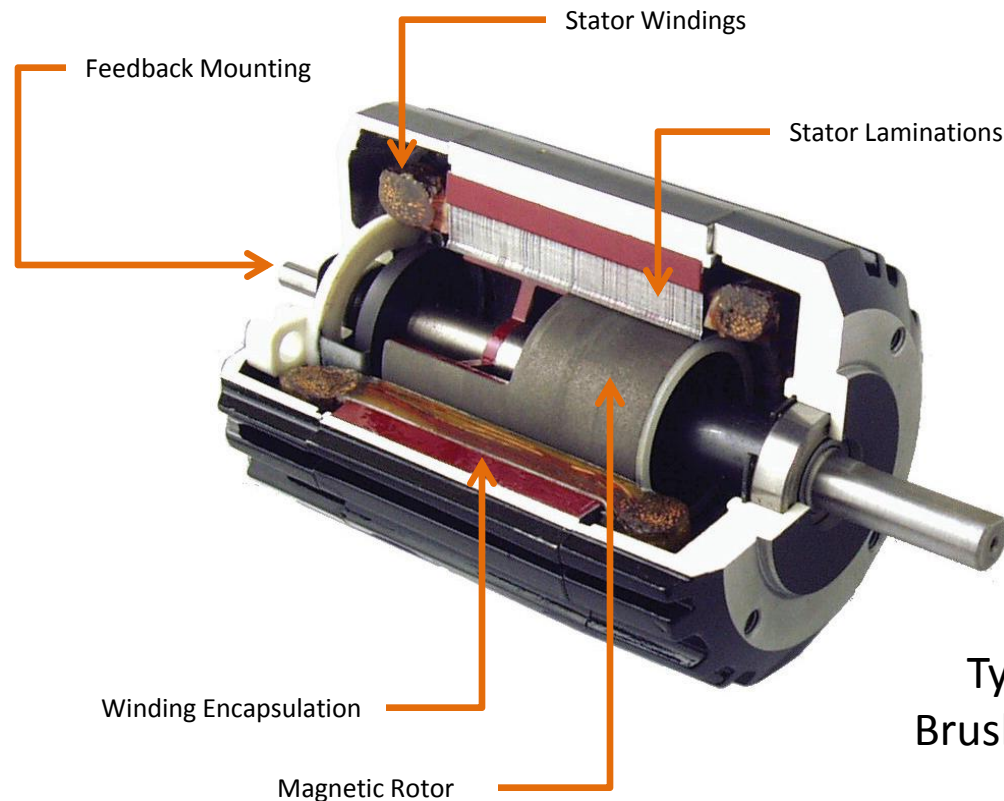
a SunSource Company

## Why would you trust just any motor shop with your Servo Motor repairs?

Servo Motors used in today's manufacturing equipment and robotic applications are much more specialized than the average induction motors that most repair shops service. Trust the reconditioning of your servo motors to someone who has specialized in the repair and testing of servo motors for over 35 years.

### Services Performed

- Pre-Inspection run-in test to record feedback alignment data
- Complete disassembly, cleaning, and inspection of all critical components and machine fits
- Replacement of bearings and seals standard
- Reassembly and realignment of feedback assembly
- Full functional load test in closed loop mode
- Torques and speed graphs provided with each test
- 12 month in service warranty



Typical DC  
Brushless Servo  
Motor