

Quality Repair of Manufacturing Equipment

Don't see what you are looking for? Give Us A Call!

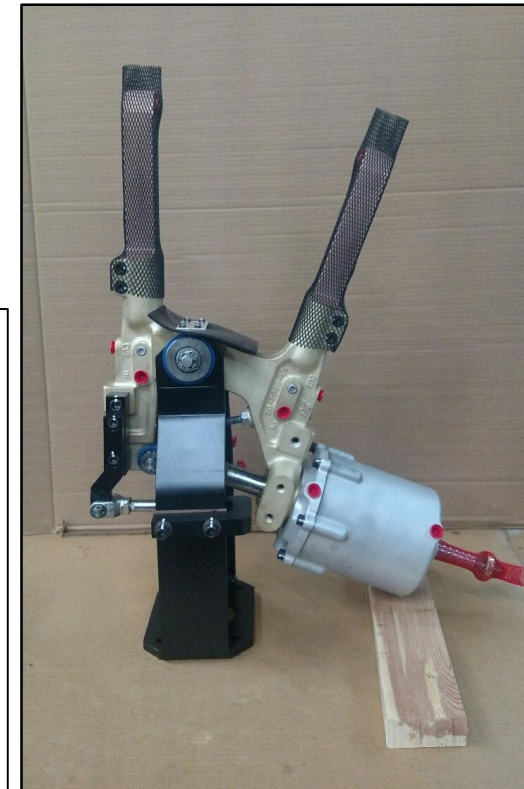
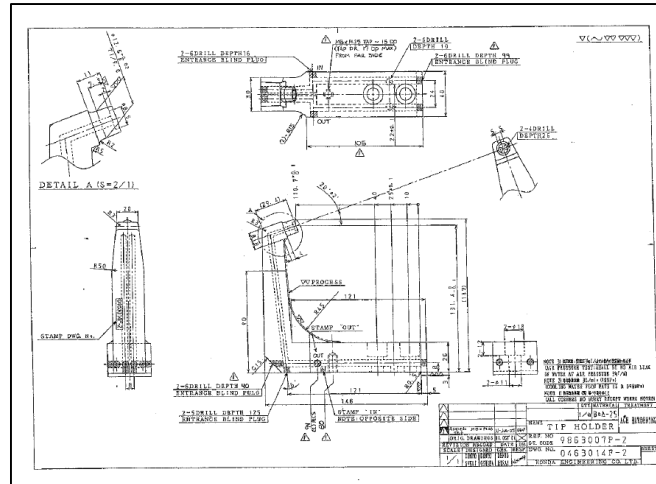
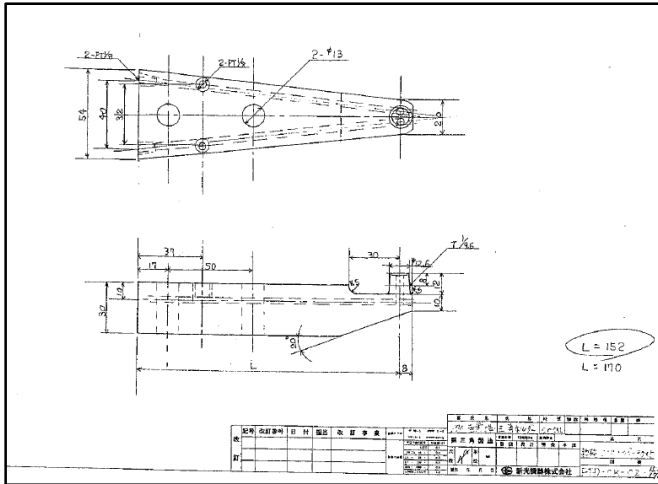
- SOUTHGATE, MI • TAYLOR, MI • KOKOMO, IN • LAWTON, OK • ROCKY HILL, CT • OAKVILLE, ON • MONTREAL, QC •
 SALAMANCA, MX • APODACA, MX • TAMWORTH, UK • NAPAJEDLA, CZ • SINT – TRUIDEN, BE • OŚWIĘCIM, PL

Obara – Refurbished Weld Gun Arms

Obara Weld Gun Repairs:

- Complete Teardown and Evaluation of all components
- Scope of work and failure analysis data recorded
- Bushings, bearings, pins, spacers, shunt straps repaired where possible or replaced with new
- Every repair comes with new water tubes, fittings and seals
- Cylinders are tested for tightness and cycles to ensure no leakage
- We can rebuild the weld arms when necessary (significant savings vs new)
- All parts are rebuilt back to OEM spec
- All pertinent parts are leak and flow tested

*We also repair other OEM's including: Dengensha, Denyo Kogyo and Milco
 *Repairs are less than half the cost of new



ALL UNITS ARE SYSTEM TESTED

***12 MONTH IN-SERVICE WARRANTY**
 Unless otherwise stated at time of quotation

***NO CHARGE EVALUATION**
 Priority repair orders may incur in evaluation fee